

REVISIONS				
ZONE	REV.	DESCRIPTION	DATE	APPROVED
	A	ORIGINAL RELEASE, JOB # 204107S	11/22/92	<i>[Signature]</i>

DESCRIPTION

AMC MODEL SW-2181-2A-CS01 IS A REFLECTIVE BROAD-BAND SPDT SWITCH MODULE WITH INTEGRAL TTL DRIVER, PACKAGED IN A MINIATURE HOUSING, DESIGNED TO MAINTAIN A VERY LOW SWITCHING TRANSIENT DISTORTION ON RF PORTS. APPLICATIONS ARE FOR HIGHLY SENSITIVE MULTICHANNEL RECEIVERS AND SIGNAL DETECTING DEVICES.

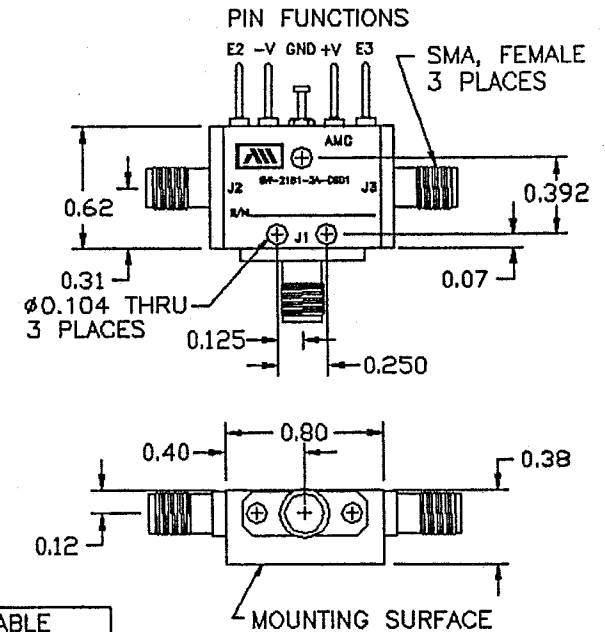
SPECIFICATIONS

- FREQUENCY RANGE 0.25-18.25 GHz MINIMUM
- INSERTION LOSS 2.5 dB MAXIMUM
- ISOLATION 60 dB MINIMUM
- VSWR (ON) 1.9:1 MAXIMUM
- SWITCHING TIME
 - RISE (10% RF TO 90% RF) 5 μ s MINIMUM, 25 μ s MAXIMUM
 - FALL (90% RF TO 10% RF) 5 μ s MINIMUM, 25 μ s MAXIMUM
 - ON (50% TTL TO 90% RF) 30 μ s MAXIMUM
 - OFF (50% TTL TO 10% RF) 30 μ s MAXIMUM
- CONTROL TTL COMPATIBLE, UNITY LOAD
2 INDIVIDUAL CONTROLS
LOGIC "0" = ISOLATION
LOGIC "1" = INSERTION LOSS
(SEE LOGIC TABLE)
- RF POWER RATINGS +20 dBm CW MAXIMUM
- POWER SUPPLY +5VDC \pm 5% @ 65 mA MAXIMUM
-12VDC \pm 5% @ 65 mA MAXIMUM
- CONNECTORS
 - RF INPUT/OUTPUT SMA (FEMALE)
 - POWER SOLDER PIN
 - CONTROL SOLDER PIN
- SIZE 0.80" x 0.62" x 0.38"

AVAILABLE OPTIONS

- A01 50 Ω CONTROL IMPEDANCE
- A02 100 Ω CONTROL IMPEDANCE
- A03 INVERSE CONTROL LOGIC (LOGIC "0" INSERTION LOSS)
- A08 SINGLE CONTROL (LOGIC "0", J1-J2 PATH ON)
- A14 J1 SMA MALE, J2 AND J3 SMA FEMALE
- A15 J1 SMA FEMALE, J2 AND J3 SMA MALE
- A17 -15 VDC SUPPLY
- A18 -5 VDC SUPPLY

MECHANICAL OUTLINE




E3	E2	RF PATH
0	1	J1-J2
1	0	J1-J3

- NOTES:
- 1) DIMENSIONS ARE IN INCHES
 - 2) TOLERANCES: X.XX \pm 0.020
X.XXX \pm 0.010
APPROX. 1.0 OZ
 - 3) WEIGHT:

ENVIRONMENTAL RATINGS

- TEMPERATURE -55°C TO +95°C (OPERATING)
-65°C TO +125°C (STORAGE)
- HUMIDITY MIL-STD-202F, METHOD 103B COND. B
- SHOCK MIL-STD-202F, METHOD 213B COND. B
- VIBRATION MIL-STD-202F, METHOD 204D COND. B
- ALTITUDE MIL-STD-202F, METHOD 105C COND. B
- TEMPERATURE CYCLE MIL-STD-202F, METHOD 107D COND. A

		AMERICAN MICROWAVE CORPORATION 7311G GROVE RD., FREDERICK, MD. 21701 TEL: (301) 662-4700 FAX: (301) 662-4938	
APPROVALS		DATE	
DRAWN <i>WYP</i>		11/22/92	
CHECKED <i>[Signature]</i>		11/24/92	
PRODUCT FEATURE SW-2181-2A-CS01 0.25-18.25 GHz, REFLECTIVE, SPDT SWITCH MODULE			
SIZE	A	SHEET 1 OF 2	DWG. # 100-2886